

### Wingspan Series

# WS-1120



**LM79 LM80 L70:5+ YEARS**

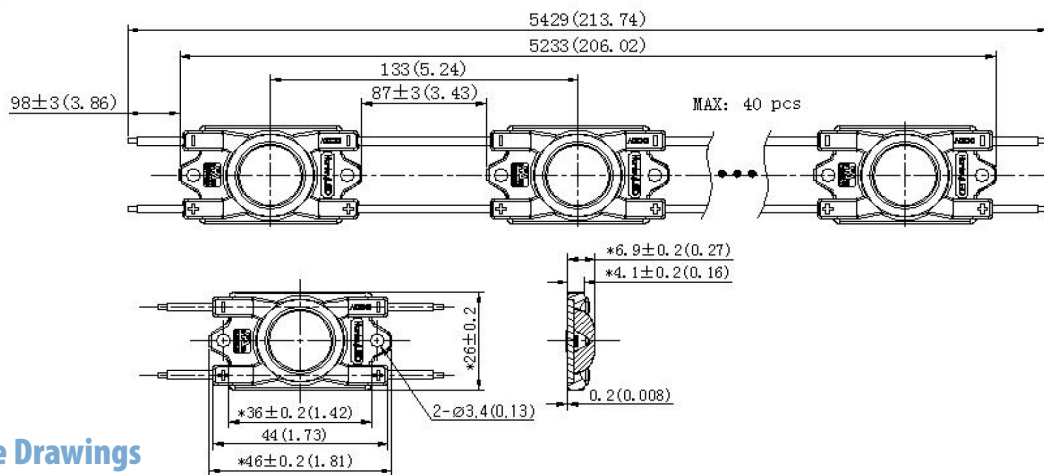
## Specifications

<b>Viewing Angle</b>	170° wing span
<b>Watts</b>	1.2w/mod (2.76w/ft.)
<b>Input Voltage</b>	12vDC
<b>Modules/Foot</b>	2.3/ft. fully stretched
<b>Protection Grade</b>	IP65
<b>Packaging</b>	Anti-static bag, 80 modules (35 ft)/bag
<b>Warranty</b>	5 Year (Product) / 5 Year (Labor)
<b>Operating Temp.</b>	-25 ~ +60 °C / -13 ~ +140 °F
<b>Storage Temp.</b>	-25 ~ +70 °C / -13 ~ +158 °F
<b>Cascade</b>	40 mods single-ended power feed (pcs) 80 mods double-ended power feed (pcs)

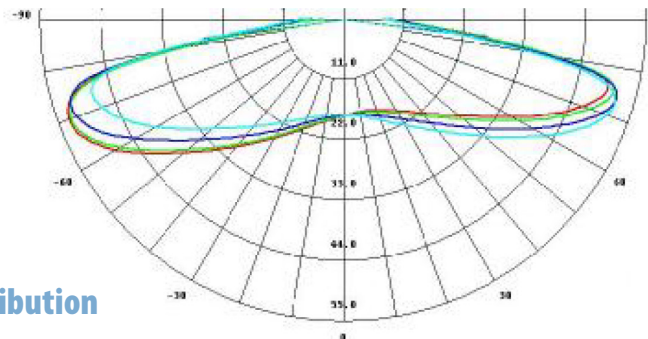
## Features

- Ideal for lighting cabinets and large channel letters 1.5"-8" deep
- Most versatile solution for cabinet lighting
- Guaranteed life over 50,000 hours
- Super wide wing span for wide, even illumination
- 12" stroke at 6" depth
- 2.5" stroke at 1.5" depth

Color	Part#	Color Temp	Lumens
Pure White	HLED-WS1120W	7000K	115 lm/mod (264 lm/ft.)



Profile Drawings



Light Distribution

MODEL	MAX POWER SUPPLY LOAD			
	35W	60W	100W	150W
WS-1120	29 mods	50 mods	80 mods	125 mods

**HanleyLED recommends underloading any power supply by 15%**