

HanleyLED

HanleyLED HLED-RGBAMP Spec Sheet

RGB Amplifier

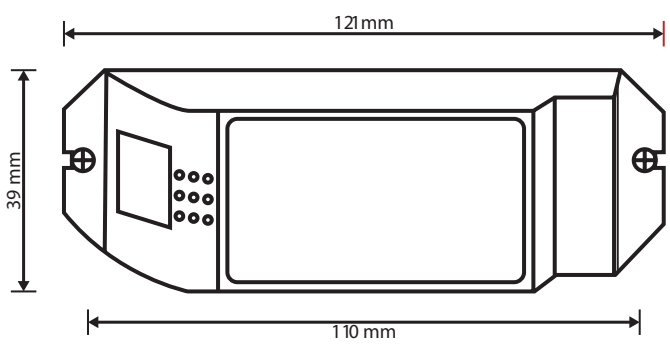
HLED-RGBAMP



Features

- Suitable for all power-output style controllers.
- Accepts PWM control.
- Can run an unlimited amount of amplifiers with HLED-RGBCNTRL.

Product Size



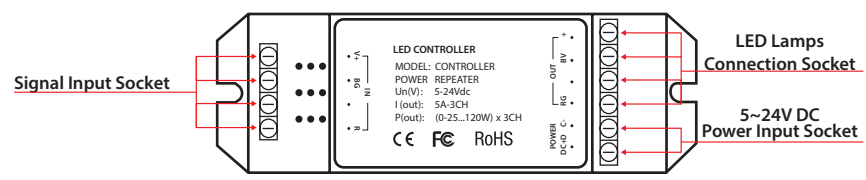
Specifications

Model	HLED-RGBAMP
Input Voltage	5 ~ 24V DC
Max Current Load	5A*3CH Max 15A
Max Output Power	75W/180W/360W (5V/12V/24V)
Working Temp.	-30 ~ 55 °C / -22° ~ +131 °F
Dimensions	L121 x W39 x H39(mm)
Package Size	L123 x W42 x H42(mm)
Weight (G.W.)	100g

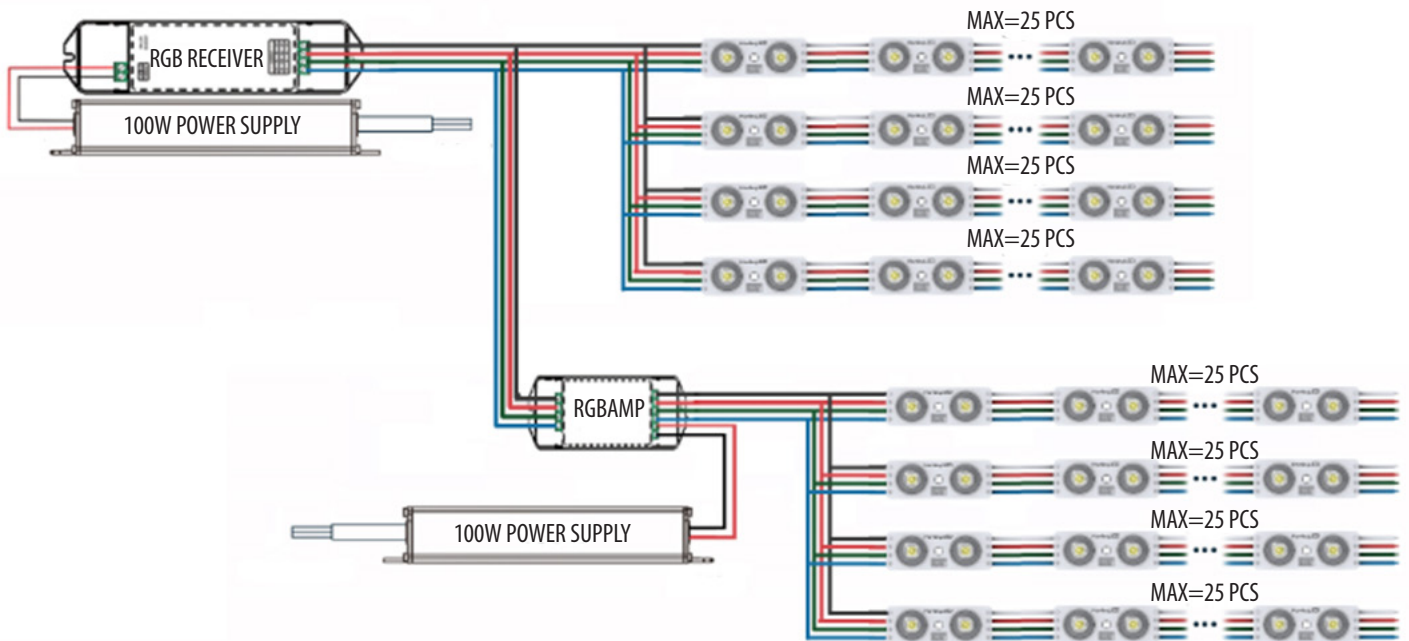
Use with: HLED-RGBCNTRL



Terminal Description



Wiring Diagram



Application of RGB Modules

