

Peregrine Series

P-3120



LM79 LM80 L70:5+ YEARS

Specifications

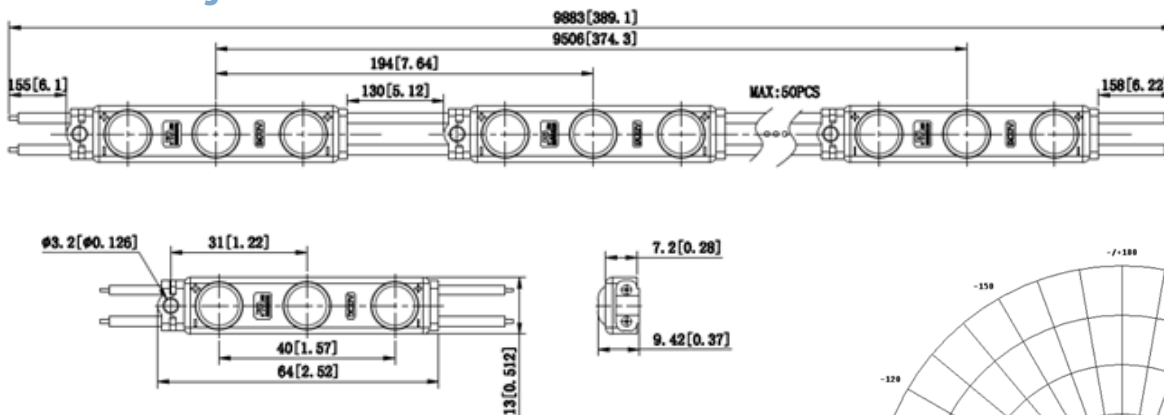
Viewing Angle	160°
Watts	1.2w/mod (1.88w/ft.)
Input Voltage	12vDC
Modules/Foot	1.57/ft. fully stretched
Protection Grade	IP65
Packaging	Anti-static bag, 100 modules (63.66 ft)/bag
Warranty	5 Year (Product) / 5 Year (Labor)
Operating Temp.	-40 ~ +60 °C / -13 ~ +140 °F
Storage Temp.	-25 ~ +70 °C / -13 ~ +158 °F
Cascade	50 mods single-ended power feed (pcs) 100 mods double-ended power feed (pcs)

Features

- Ideal for shallow, deep, and halo channel letter lighting
- Fewer modules to light up signs
- Guaranteed life over 50,000 hours
- UL Retrofit Kit Classified

Color	Part#	Color Temp	Lumens
Pure White	HLED-P3120W	7000K	116 lm/mod (182 lm/ft.)
Red	HLED-P3120R	620 ~ 625K	43 lm/mod (68 lm/ft.)

Profile Drawings



MODEL	MAX POWER SUPPLY LOAD			
	35W	60W	100W	150W
P-3120	29 mods	50 mods	80 mods	125 mods

HanleyLED recommends underloading any power supply by 15%

Light Distribution

