

Peregrine Series

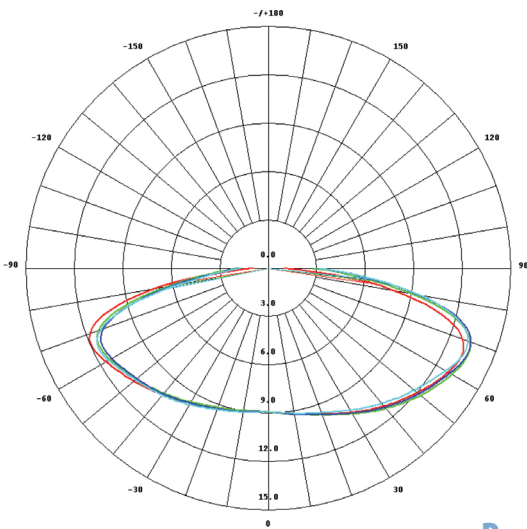
P-2072



LM79 LM80 L70:5+ YEARS

Features

- As low as 2.875" from sign face
- Ideal for shallow, deep, and halo channel letter lighting
- Fewer modules to light up signs
- Guaranteed life over 50,000 hours
- UL Retrofit Kit Classified



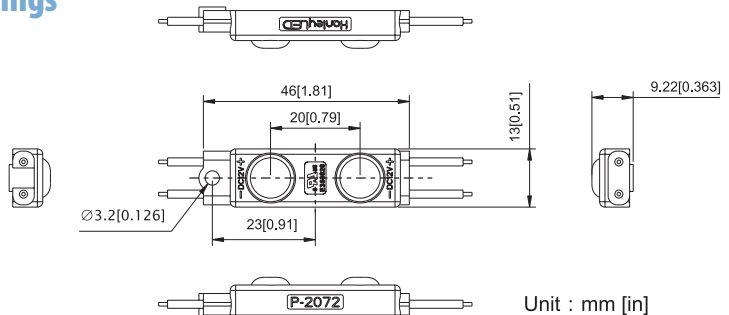
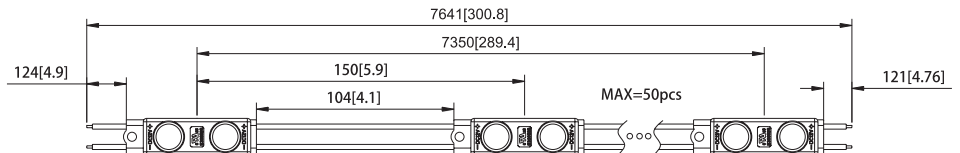
Specifications

Viewing Angle	160°
Watts	.72w/mod (1.44w/ft.)
Input Voltage	12vDC
Modules/Foot	2/ft fully stretched
Protection Grade	IP65
Packaging	Anti-static bag, 100 modules (50 ft)/bag
Warranty	5 Year (Product) / 5 Year (Labor)
Operating Temp.	-40 ~ +60 °C / -13 ~ +140 °F
Storage Temp.	-40 ~ +70 °C / -13 ~ +158 °F
Cascade	50 mods single-ended power feed (pcs) 100 mods double-ended power feed (pcs)

Color	Part#	Color Temp	Lumens
Cool White	HLED-P2072WCOOL	9500 ~ 11000K	70 lm/mod (140 lm/ft.)
Pure White	HLED-P2072W	7000K	70 lm/mod (140 lm/ft.)
Warm White	HLED-P2072WWARM	3000 ~ 3300K	70 lm/mod (140 lm/ft.)
Blue	HLED-P2072B	465 ~ 470K	7 lm/mod (14 lm/ft.)
Green	HLED-P2072G	525 ~ 530K	37 lm/mod (74 lm/ft.)
Yellow	HLED-P2072Y	585 ~ 590K	13 lm/mod (26 lm/ft.)
Red	HLED-P2072R	620 ~ 625K	13 lm/mod (26 lm/ft.)

Light Distribution

Profile Drawings



MODEL	MAX POWER SUPPLY LOAD			
	35W	60W	100W	150W
P-2072	48mods	83mods	133mods	208mods

HanleyLED recommends underloading any power supply by 15%