

Kestrel Series

KD-3072



LM79 LM80 L70:5+ YEARS

Specifications

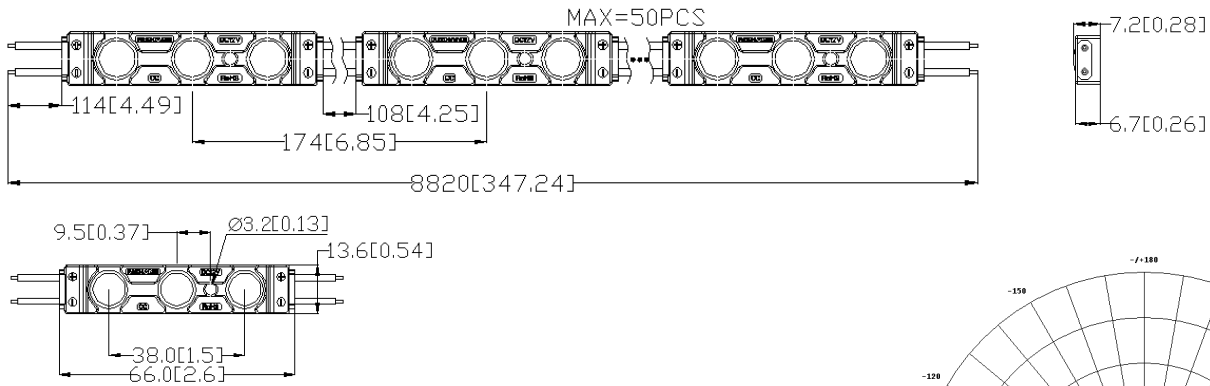
Viewing Angle	160°
Watts	.72w/mod (1.26w/ft.)
Input Voltage	12vDC
Modules/Foot	1.75/ft. fully stretched
Protection Grade	IP65
Packaging	Anti-static bag, 100 modules (57.08 ft)/bag
Warranty	5 Year (Product) / 5 Year (Labor)
Operating Temp.	-25 ~ +60 °C / -13 ~ +140 °F
Storage Temp.	-25 ~ +70 °C / -13 ~ +158 °F
Cascade	50 mods single-ended power feed (pcs) 100 mods double-ended power feed (pcs)

Features

- As low as 3" from sign face
- Ideal for shallow, deep, and halo channel letter lighting
- Guaranteed life over 50,000 hours

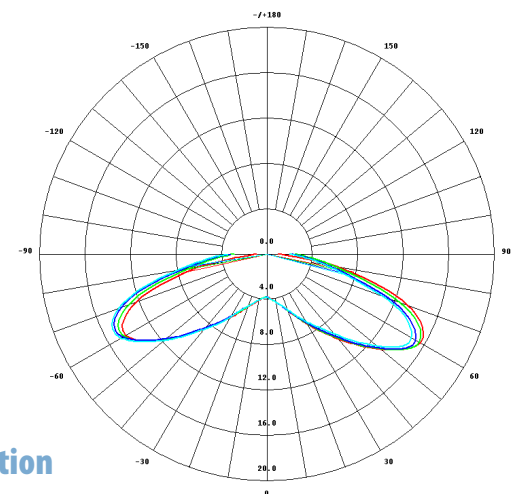
Color	Part#	Color Temp	Lumens
Cool White	HLED-KD3072WCOO	9500 ~ 11000K	70 lm/mod (122.5 lm/ft.)
Pure White	HLED-KD3072WPUR	7000K	70 lm/mod (122.5 lm/ft.)
Red	HLED-KD3072R	620 ~ 625K	19 lm/mod (33.25 lm/ft.)

Profile Drawings



MODEL	MAX POWER SUPPLY LOAD			
	35W	60W	100W	150W
KD-3072	48 mods	83 mods	133 mods	208 mods

HanleyLED recommends underloading any power supply by 15%



Light Distribution