

HanleyLED

HanleyLED HLED-RGBCNTRL Spec Sheet

RGB Controller

HLED-RGBCNTRL



RF WIRELESS



Features

- RF remote is slim, light and easy to carry while receiver is small and easy to install.
- High grayscale performance.
- One receiver has the capability to dim, change color temperature and control RGB.
- Remote can automatically enter standby mode to extend battery life. Automatic sleep mode, after 30 seconds.
- Remote can be used up to 90ft away from the receiver.
- HanleyLED recommends underloading by 5%.

Attention

- This product is non-waterproof. Please avoid the sun and rain. When installed outdoors, ensure it is mounted in a water proof enclosure.
- Good heat dissipation will prolong working life of the controller. Please ensure good ventilation with each installation.

Specifications

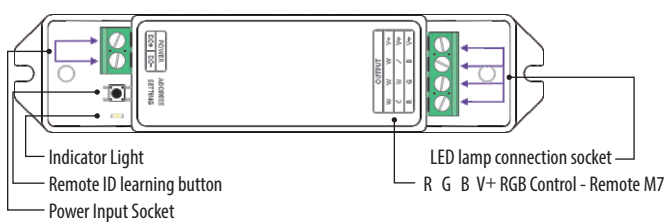
RECEIVER	
Model	M3-3A
Power Input	12 ~ 24VDC
Max Current Load	3Ax3CH
Max Output Power	108W(12V)/216W(24W)
Working Temp.	-30 ~ 55 °C / -22° ~ +131 °F
Dimensions	L135 x W30 x H20(mm)
Weight	47g
Total Weight (G.W.)	135g
REMOTE	
Model	M7
Working Voltage	3V (battery CR2032)
Working Frequency	433.92 MHz
Remote Distance	30m
Working Temp.	-30 ~ 55 °C / -22° ~ +131 °F
Dimensions	L104 x W58 x H9(mm)
Weight (N.W.)	42g

Remote Control Operating Instruction:

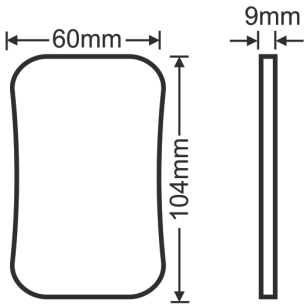
COLOR CHANGING MODES

1. Static Red
2. Static Green
3. Static Blue
4. Static Yellow
5. Static Purple
6. Static Cyan
7. Static White
8. RGB Skipping
9. 7 Colors Skipping
10. RGB Smooth
11. Full-color Smooth

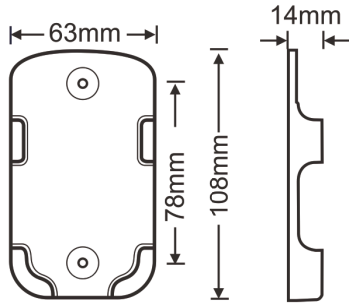
Operating Instructions for Receiver:



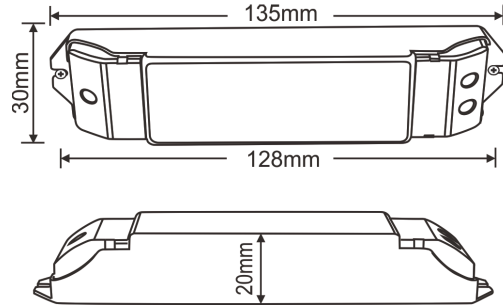
Product Drawings



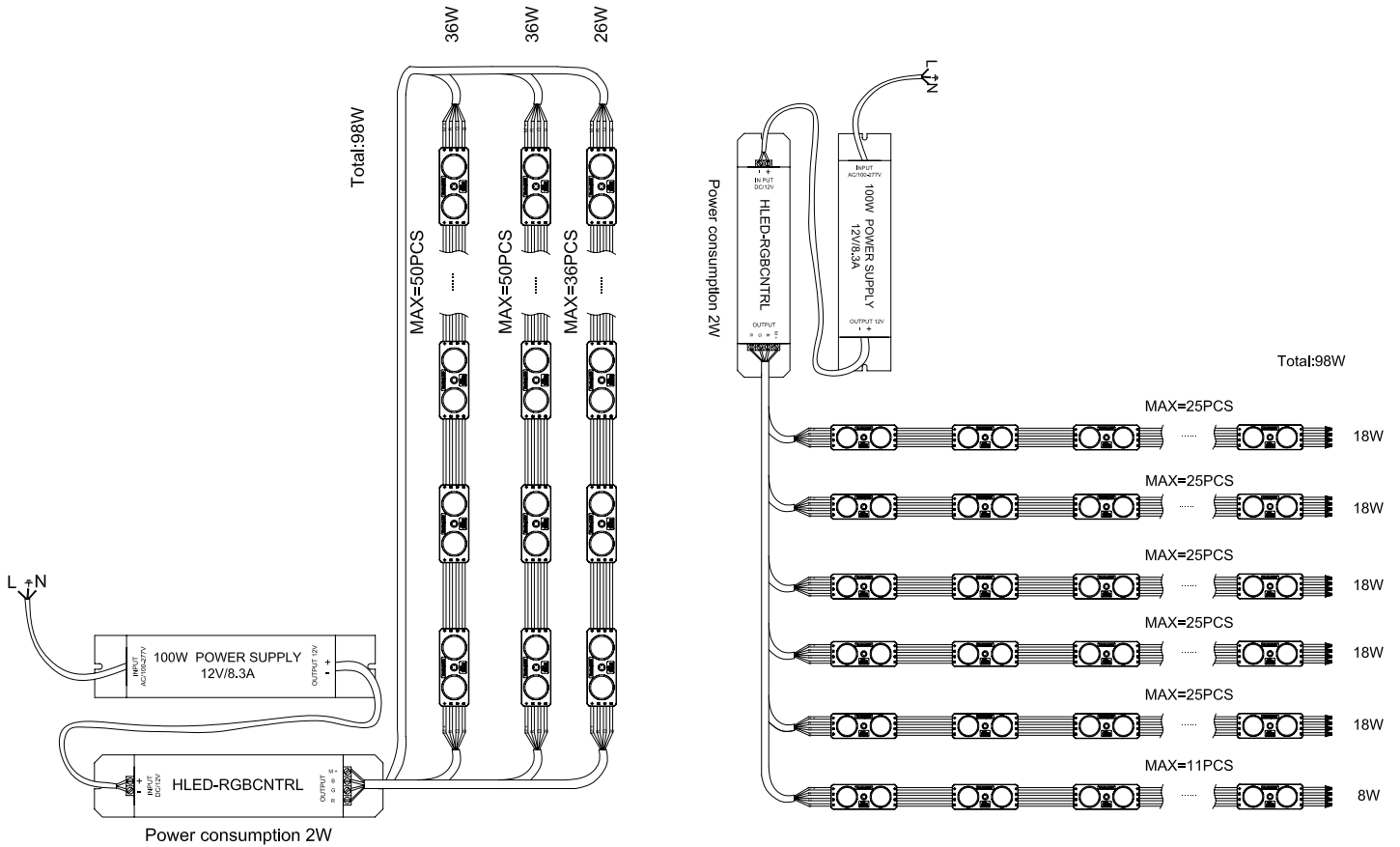
RF Remote



Remote Holder



Receiver



Wiring Diagram

