

# HanleyLED

## HanleyLED H150W-PPS524V Spec Sheet

### LED Power Supply/Driver H150W-PPS524V



### Features

- 150 watt, class 2, 24 volt LED driver
- High performance premium power supply
- Dual output wires
- IP68 - WATERPROOF - indoor/outdoor use, dry, damp, or wet locations
- Variable input voltage with grounding wire: 100-277Vac
- Working temperature: -40°C ~ +50°C
- OVP, OCP, SCP, OTP protection function
- Tested and approved at 100% power load
- UL Retrofit Kit Classified

### Warranty

Product	5 years
Labor	2 years labor if paired with HanleyLEDs 1 year labor with any other qualified LEDs

Safety Certification Safety Certification Safety Certification

### Product Parameters

#### Output Characteristics

Rated Output Voltage	24V
Rated Output Current	3.2A x 2
Rated Output Power	150W
Output Voltage Accuracy	±5% (22.8-25.2V)
Output ripple & noise	≤250mV

#### Input Characteristics

Input Voltage Range	100 ~ 277Vac
Input Frequency Range	50HZ ~ 60HZ
Input Current	1.83A Max
Inrush Current (cold start)	≤ 70A (100-277Vac)
Efficiency	≥ 93%
PF	≥ 0.95

#### Protective Characteristics

- Over-Current Protection
- Short-Circuit Protection
- Over-Voltage Protection
- Over-Temperature Protection

#### Environmental Characteristics

Working Temperature	-40° ~ +50°C
Working Humidity	20 ~ 95% RH (non-condensing)
Storage Temperature	-40° ~ +85°C
Storage Humidity	10 ~ 95% RH
IP Rating	IP68
Vibration	10 ~ 500HZ, 5G 30 minutes (for X, Y, Z each axis)

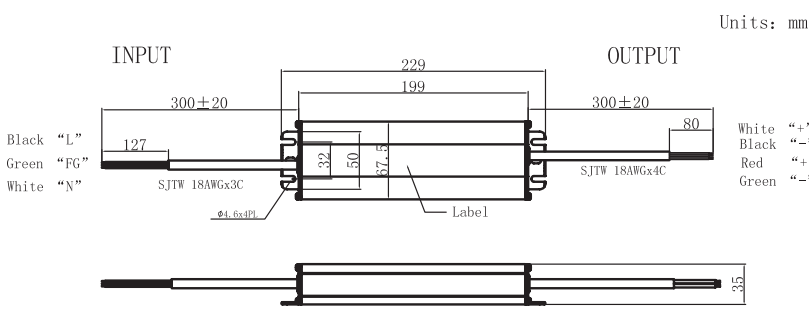
#### Safety and EMC

Safety Rating	IP68, Class 2
Dielectric Strength (Hi-Pot)	I/P-O/P 3.75KVac/10mA/3S I/P-Case 1.8KVac/10mA/3S
Insulation Resistance	100M0hm Max/500Vdc/3S
Grounding Resistance	100m0hm
EMC	FCC part 15classB EN55015

#### Other Characteristics

MTBF	>50,000Khrs. MIL-HDBK-217F (25°C)
Size	204*67.5*35mm (L*W*H)
Weight	1.0KG

### Profile Drawings



- Ensure that the ground wire is properly grounded and ensure it does not come into contact with the neutral wire.
- Ensure the power supply position has sufficient airflow. Operating temperature must be between -40°C to +60°C.
- Do not overload the power supply with multiple appliances.
- Power supply operates at high temperature. To avoid injury, do not touch while in use.
- Do not install with power connected or during an electrical disturbance.
- Do not attempt to install by yourself. Please contact the supplier with any questions.
- Please read and follow the instructions carefully before installing. Ensure all contact points are in good working order.
- Please pay attention to the environment, and check for any unsafe conditions.