

Golden Series G-1270



Specifications

Viewing Angle	10° x 40° directional beam
Ideal Depth	For cabinets 48" and under
Watts	2.7w/mod (5.4w/ft.)
Input Voltage	12vDC
Modules/Foot	2/ft. fully stretched
Protection Grade	IP65
Packaging	Boxed in reinforced foam tray, 60 mods (30ft.)/box
Warranty	5 Year (Product) / 5 Year (Labor)
Operating Temp.	-40 ~ +60 °C / -40 ~ +140 °F
Storage Temp.	-40 ~ +70 °C / -40 ~ +158 °F
Cascade	15 mods single-ended power feed (pcs) 30 mods double-ended power feed (pcs)



LM79 LM80 L70:5+ YEARS

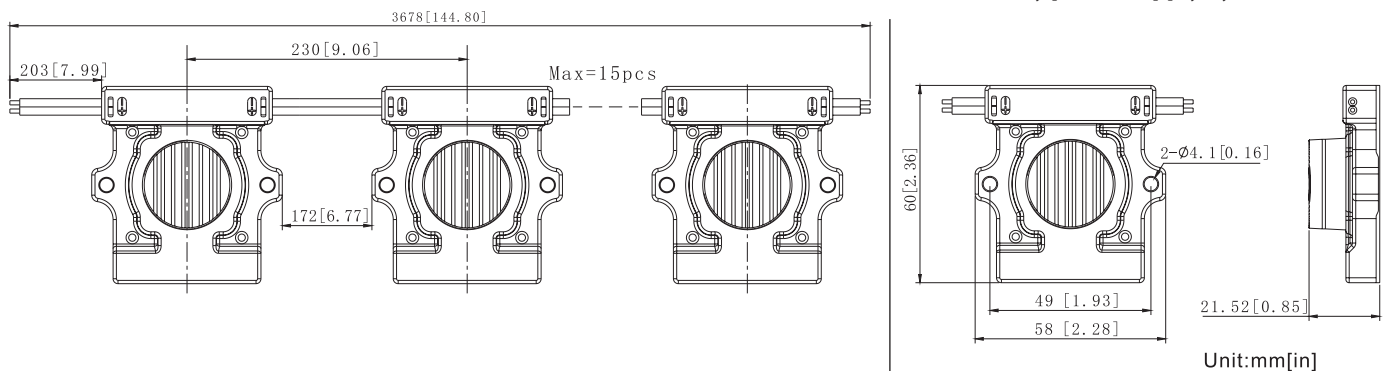
Color	Part#	Color Temp	Lumens
Pure White	HLED-G1270	7000K	277 lm/mod (554 lm/ft.)

Features

- Perimeter lighting for illuminating cabinets and displays from the frame's edge
- Single-LED, 2.7w high powered, high lumen output module
- Guaranteed life over 50,000 hours

MODEL	MAX POWER SUPPLY LOAD			
	35W	60W	100W	150W
G-1270	12mods	22mods	37mods	55mods

HanleyLED recommends underloading any power supply by 15%



Application and Installation Diagram

